



# Easy, safe, fire-resistant – STRAUB-FIRE-FENCE®

NEW



We currently have the following approvals:



The following approvals have been applied for:



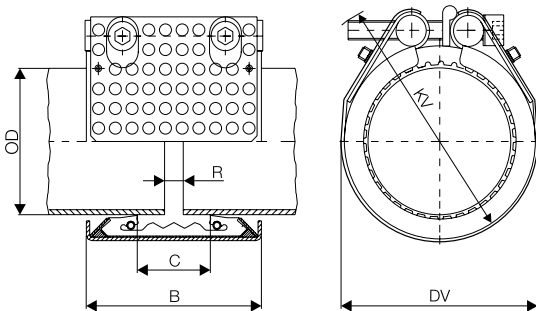
**straub**®   
**the original**

an OAliaxis company

Specification STRAUB-METAL-GRIP-FIRE-FENCE®

Ø 30.0 – 219.1 mm

| Components / Materials | W1  | W2                  | W4                  | W5 (on request) |
|------------------------|---|---------------------|---------------------|-----------------|
| Casing                 |   | 1.4301 (V2A)        | 1.4301 (V2A)        |                 |
| Screws                 |   | 1.7220°             | 1.4401              |                 |
| U-bolts                |   | 1.0737, galvanized  | 1.4301              |                 |
| Anchoring ring         |   | 1.4310              | 1.4310              |                 |
| Strip insert (option)  |   | 1.4435 / PVDF       | 1.4435 / PVDF       |                 |
| Fence                  |   | 1.4401              | 1.4401              |                 |
| Retardent              |   | intumescent polymer | intumescent polymer |                 |
| Sealing sleeve<br>EPDM | Temp.: -30°C up to +100°C<br>Medium: all qualities of water, waste water, air, solids and chemical products |                     |                     |                 |
| Sealing sleeve<br>NBR  | Temp.: -20°C up to +80°C<br>Medium: water, gas, oil, fuel and other hydrocarbons                            |                     |                     |                 |



| Pipe<br>OD<br>(mm) | Clamping<br>range<br>(mm) | Nominal<br>pressure<br>PN<br>(bar) | Working<br>pressure<br>PS<br>(bar) | Dimension data |           |            |            | Setting gap between<br>pipe ends R |        | Locking bolts          |                       |                 |
|--------------------|---------------------------|------------------------------------|------------------------------------|----------------|-----------|------------|------------|------------------------------------|--------|------------------------|-----------------------|-----------------|
|                    |                           |                                    |                                    | B<br>(mm)      | C<br>(mm) | DV<br>(mm) | KV<br>(mm) | without                            | with   | torque<br>rate<br>(Nm) | allen<br>head<br>(mm) | thread<br>M ... |
| 30.0               | 29.5 – 30.5               | 16.0                               | 67                                 |                |           |            |            | 56/77                              | 18     |                        |                       |                 |
| 33.7               | 33.2 – 34.2               | 16.0                               | 62                                 | 56/77          | 18        | 62         | 80         | 5                                  | 5      | 10                     | 6                     | 8               |
| 38.0               | 37.5 – 38.5               | 16.0                               | 58                                 | 71             | 19        | 68         | 95         | 5                                  | 5 – 10 | 15                     | 6                     | 8               |
| 42.4               | 41.9 – 42.9               | 16.0                               | 53                                 | 71             | 20        | 72         | 95         | 5                                  | 5 – 10 | 15                     | 6                     | 8               |
| 44.5               | 44.0 – 45.0               | 16.0                               | 48                                 | 71             | 20        | 74         | 100        | 5                                  | 5 – 10 | 15                     | 6                     | 8               |
| 48.3               | 47.8 – 48.8               | 16.0                               | 44                                 | 71             | 20        | 78         | 100        | 5                                  | 5 – 10 | 15                     | 6                     | 8               |
| 54.0               | 53.5 – 54.5               | 16.0                               | 39                                 | 87             | 38        | 84         | 105        | 5                                  | 5 – 15 | 20                     | 6                     | 8               |
| 57.0               | 56.4 – 57.6               | 16.0                               | 37                                 | 87             | 32        | 87         | 110        | 5 – 10                             | 5 – 25 | 20                     | 6                     | 8               |
| 60.3               | 59.7 – 60.9               | 16.0                               | 37                                 | 87             | 32        | 92         | 115        | 5 – 10                             | 5 – 25 | 20                     | 6                     | 8               |
| 63.5               | 62.9 – 64.1               | 16.0                               | 37                                 | 87             | 32        | 94         | 119        | 5 – 10                             | 5 – 25 | 20                     | 6                     | 8               |
| 76.1               | 75.3 – 76.9               | 16.0                               | 56                                 | 110            | 39        | 110        | 135        | 5 – 10                             | 5 – 25 | 35                     | 8                     | 10              |
| 84.0               | 83.2 – 84.8               | 16.0                               | 45                                 | 110            | 39        | 122        | 145        | 5 – 10                             | 5 – 25 | 35                     | 8                     | 10              |
| 88.9               | 88.0 – 89.8               | 16.0                               | 41                                 | 110            | 39        | 127        | 150        | 5 – 10                             | 5 – 25 | 35                     | 8                     | 10              |
| 104.0              | 103.0 – 105.0             | 16.0                               | 37                                 | 110            | 39        | 143        | 165        | 5 – 10                             | 5 – 25 | 35                     | 8                     | 10              |
| 108.0              | 106.9 – 109.1             | 16.0                               | 35                                 | 110            | 39        | 143        | 165        | 5 – 10                             | 5 – 25 | 35                     | 8                     | 10              |
| 114.3              | 113.2 – 115.4             | 16.0                               | 34                                 | 110            | 39        | 149        | 170        | 5 – 10                             | 5 – 25 | 35                     | 8                     | 10              |
| 129.0              | 127.7 – 130.3             | 16.0                               | 33                                 | 124            | 51        | 170        | 195        | 5 – 15                             | 5 – 30 | 60                     | 10                    | 12              |
| 133.0              | 131.7 – 134.3             | 16.0                               | 33                                 | 124            | 43        | 170        | 195        | 5 – 15                             | 5 – 25 | 60                     | 10                    | 12              |
| 139.7              | 138.3 – 141.1             | 16.0                               | 32                                 | 125            | 43        | 178        | 205        | 5 – 15                             | 5 – 25 | 60                     | 10                    | 12              |
| 154.0              | 152.5 – 155.5             | 16.0                               | 32                                 | 125            | 51        | 196        | 220        | 5 – 15                             | 5 – 30 | 60                     | 10                    | 12              |
| 159.0              | 157.4 – 160.6             | 16.0                               | 31                                 | 125            | 43        | 197        | 220        | 5 – 15                             | 5 – 25 | 60                     | 10                    | 12              |
| 168.3              | 166.6 – 170.0             | 16.0                               | 29                                 | 125            | 43        | 210        | 235        | 5 – 15                             | 5 – 25 | 60                     | 10                    | 12              |
| 219.1              | 216.9 – 221.3             | 16.0                               | 26                                 | 166            | 60        | 269        | 300        | 5 – 15                             | 5 – 35 | 100                    | 14                    | 16              |

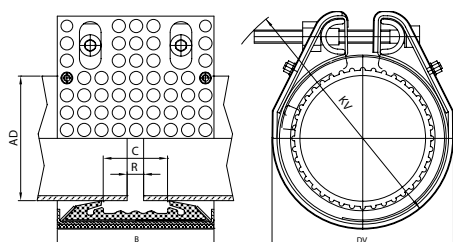
Legend W1–W5 according to DIN Standard 86128 (ASTM F1476 / F1548, ISO / NP-15837 / 15838)  
 PN: Nominal pressure includes four times safety factor for applications that require authorization of classification societies like for Ship building (e.g. ABS, DNV, LR, etc.)  
 PS: Working pressure considering the application loads  
 ° Property class 12.9, Dacromet 500 (zinc-chromate with integrated lubricant)

Remarks: – The pressure values are valid on radial rigid carbon steel pipes under static loads (see minimum wall-thickness of pipe)  
 – Follow fitting / disassembly instructions.  
 – Strip inserts are required when the gap between the pipe ends is excessive, in presence of swelling, elevated temperatures, at vacuum/depression (suction line), or external pressure.  
 – Test pressure = 1.5 x PN / PS.  
 – According to IACS 2007 and ISO 19921:2005E and 19922:2005E  
 – Other sizes on request  
 – Other rubbers on request (HNBR, Viton)

## Specification STRAUB-GRIP-L-FIRE-FENCE®

Ø 26.9 – 219.1 mm

|                        |  |
|------------------------|--|
| Components / Materials | W5   |
| Casing                 | 1.4571   |
| Screws                 | 1.4401 / 1.4435  |
| U-bolts                | 1.4571   |
| Anchoring ring         | 1.4310   |
| Strip insert (option)  | 1.4435 / PVDF / HDPE   |
| Fence                  | 1.4401   |
| Retardent              | intumescent polymer  |
| Sealing sleeve         | Temp.: -20°C up to +80°C   |
| EPDM                   | Medium: all qualities of water, waste water, air, solids and chemical products |
| Sealing sleeve         | Temp.: -20°C up to +80°C   |
| NBR                    | Medium: water, gas, oil, fuel and other hydrocarbons                           |



| Pipe<br>OD<br>(mm) | Clamping<br>range<br>(mm) | Nominal-<br>pressure<br>PN<br>(bar) | Working-<br>pressure<br>PS<br>(bar) | Dimension data |           |            |            | Setting gap between<br>pipe ends R |        | Locking bolts          |                       |                 |
|--------------------|---------------------------|-------------------------------------|-------------------------------------|----------------|-----------|------------|------------|------------------------------------|--------|------------------------|-----------------------|-----------------|
|                    |                           |                                     |                                     | B<br>(mm)      | C<br>(mm) | DV<br>(mm) | KV<br>(mm) | without                            | with   | torque<br>rate<br>(Nm) | allen<br>head<br>(mm) | thread<br>M ... |
| 26.9               | 26.4 – 27.4               | 16.0                                | 46                                  |                |           |            |            | 56                                 | 19     |                        |                       |                 |
| 30.0               | 29.5 – 30.5               | 16.0                                | 42                                  | 56             | 17        | 57         | 80         | 5                                  | 5      | 7.5                    | 5                     | 6               |
| 33.7               | 33.2 – 34.2               | 16.0                                | 38                                  | 56             | 17        | 61         | 80         | 5                                  | 5      | 7.5                    | 5                     | 6               |
| 38.0               | 37.5 – 38.5               | 16.0                                | 33                                  | 71             | 25        | 67         | 95         | 5                                  | 5 – 10 | 15                     | 6                     | 8               |
| 42.4               | 41.9 – 42.9               | 16.0                                | 30                                  | 71             | 25        | 72         | 100        | 5                                  | 5 – 10 | 15                     | 6                     | 8               |
| 44.5               | 44.0 – 45.0               | 16.0                                | 33                                  | 71             | 25        | 74         | 100        | 5                                  | 5 – 10 | 15                     | 6                     | 8               |
| 48.3               | 47.8 – 48.8               | 16.0                                | 30                                  | 71             | 25        | 77         | 105        | 5                                  | 5 – 10 | 15                     | 6                     | 8               |
| 54.0               | 53.5 – 54.5               | 16.0                                | 20                                  | 86             | 37        | 86         | 110        | 5 – 10                             | 5 – 15 | 15                     | 6                     | 8               |
| 57.0               | 56.4 – 57.6               | 16.0                                | 18                                  | 86             | 37        | 86         | 110        | 5 – 10                             | 5 – 15 | 15                     | 6                     | 8               |
| 60.3               | 59.7 – 60.9               | 16.0                                | 22                                  | 86             | 37        | 89         | 115        | 5 – 10                             | 5 – 15 | 15                     | 6                     | 8               |
| 66.6               | 64.9 – 67.3               | 16.0                                | 34                                  | 111            | 35        | 97         | 131        | 5 – 10                             | 5 – 20 | 20                     | 6                     | 8               |
| 70.0               | 68.9 – 70.7               | 16.0                                | 32                                  | 111            | 36        | 102        | 136        | 5 – 10                             | 5 – 20 | 20                     | 6                     | 8               |
| 73.0               | 72.3 – 73.7               | 16.0                                | 31                                  | 111            | 41        | 106        | 147        | 5 – 10                             | 5 – 25 | 20                     | 6                     | 8               |
| 76.1               | 75.3 – 76.9               | 16.0                                | 31                                  | 111            | 41        | 108        | 147        | 5 – 10                             | 5 – 25 | 20                     | 6                     | 8               |
| 79.5               | 78.7 – 80.3               | 16.0                                | 28                                  | 111            | 35        | 110        | 147        | 5 – 10                             | 5 – 25 | 20                     | 6                     | 8               |
| 84.0               | 83.2 – 84.8               | 16.0                                | 26                                  | 111            | 35        | 122        | 157        | 5 – 10                             | 5 – 25 | 20                     | 6                     | 8               |
| 88.9               | 88.0 – 89.8               | 16.0                                | 22                                  | 111            | 41        | 121        | 162        | 5 – 10                             | 5 – 25 | 20                     | 6                     | 8               |
| 100.6              | 99.6 – 101.6              | 16.0                                | 22                                  | 111            | 35        | 139        | 177        | 5 – 10                             | 5 – 25 | 25                     | 6                     | 8               |
| 101.6              | 100.6 – 102.6             | 16.0                                | 22                                  | 111            | 35        | 140        | 177        | 5 – 10                             | 5 – 25 | 25                     | 6                     | 8               |
| 104.0              | 103.0 – 105.0             | 16.0                                | 22                                  | 111            | 35        | 142        | 177        | 5 – 10                             | 5 – 25 | 25                     | 6                     | 8               |
| 104.8              | 103.8 – 105.8             | 16.0                                | 22                                  | 111            | 35        | 143        | 177        | 5 – 10                             | 5 – 25 | 25                     | 6                     | 8               |
| 108.0              | 106.9 – 109.1             | 16.0                                | 21                                  | 111            | 41        | 140        | 177        | 5 – 10                             | 5 – 25 | 25                     | 6                     | 8               |
| 114.3              | 113.2 – 115.4             | 16.0                                | 16                                  | 111            | 41        | 146        | 182        | 5 – 10                             | 5 – 25 | 25                     | 6                     | 8               |
| 127.0              | 125.7 – 128.3             | 16.0                                | 19                                  | 126            | 54        | 161        | 200        | 5 – 10                             | 5 – 30 | 40                     | 8                     | 10              |
| 129.0              | 127.7 – 130.3             | 16.0                                | 19                                  | 126            | 54        | 163        | 200        | 5 – 10                             | 5 – 30 | 40                     | 8                     | 10              |
| 130.2              | 128.9 – 131.5             | 16.0                                | 19                                  | 126            | 54        | 164        | 205        | 5 – 10                             | 5 – 30 | 40                     | 8                     | 10              |
| 133.0              | 131.7 – 134.3             | 16.0                                | 19                                  | 126            | 54        | 167        | 205        | 5 – 10                             | 5 – 30 | 40                     | 8                     | 10              |
| 139.7              | 138.3 – 141.1             | 16.0                                | 16                                  | 126            | 54        | 174        | 215        | 5 – 10                             | 5 – 30 | 40                     | 8                     | 10              |
| 141.3              | 139.9 – 142.7             | 16.0                                | 16                                  | 126            | 54        | 176        | 215        | 5 – 10                             | 5 – 30 | 40                     | 8                     | 10              |
| 154.0              | 152.5 – 155.5             | 13.0                                | 16                                  | 126            | 48        | 194        | 230        | 5 – 10                             | 5 – 30 | 40                     | 8                     | 10              |
| 159.0              | 157.4 – 160.6             | 13.0                                | 16                                  | 126            | 54        | 193        | 230        | 5 – 10                             | 5 – 30 | 40                     | 8                     | 10              |
| 168.3              | 166.6 – 170.0             | 13.0                                | 16                                  | 126            | 54        | 202        | 235        | 5 – 10                             | 5 – 30 | 40                     | 8                     | 10              |
| 219.1              | 216.9 – 221.3             | 10.0                                | 16                                  | 158            | 80        | 260        | 300        | 5 – 10                             | 5 – 30 | 60                     | 10                    | 12              |

- Legend**
- W1–W5 according to DIN Standard 86128 (ASTM F1476 / F1548, ISO / NP-15837 / 15838)
  - PN: Nominal pressure includes four times safety factor for applications that require authorization of classification societies like for Ship building (e.g. ABS, DNV, LR, etc.)
  - PS: Working pressure considering the application loads

- Remarks:**
- The pressure values are valid on radial rigid carbon steel pipes under static loads (see minimum wall-thickness of pipe)
  - OD 26.9 – 60.3 with one screw
  - Follow fitting / disassembly instructions.
  - Strip inserts are required when the gap between the pipe ends is excessive, in presence of swelling, elevated temperatures, at vacuum/depression (suction line), or external pressure.
  - Test pressure = 1.5 x PN / PS.
  - According to IACS 2007 and ISO 19921:2005E and 19922:2005E
  - Other sizes on request
  - Other rubbers on request (HNBR, Viton)

## STRAUB-FIRE-FENCE®

**THE FIRE RESISTANT COUPLING**  
 For use wherever fire protection  
 is required by law.

The STRAUB FIRE-FENCE combines functional design with latest technologies. The coupler is based on the reliable and well proven STRAUB coupling system and fulfils IMO (International Maritime Organisation) and IACS (International Association of Classification Societies) requirements alike, which have been in force since 1.1.2007.

Even with its flame protection, the coupling is space saving, shows significantly improved crush resistance and, thanks to the innovative design, is also lighter. The new STRAUB-FIRE-FENCE impresses with a modern, patented construction method, while at the same time retaining the well tested characteristics of STRAUB couplings.

Functionality: In the event of a fire, the intumescent\* fire protection coating expands, protectively enclosing the coupling. During this process, the coupling retains its full operational capability – without any limitations.

\* Under the influence of heat, intumescent materials increase in volume and decrease in density, i.e. the material expands. This produces an isolating heat shield which protects the assembly part.



We reserve the right to make technical modifications.

STRAUB-coupling



Protective  
metal layer

Intumescent  
polymer profile